

Andrea 11kw Inset Pellet Stove



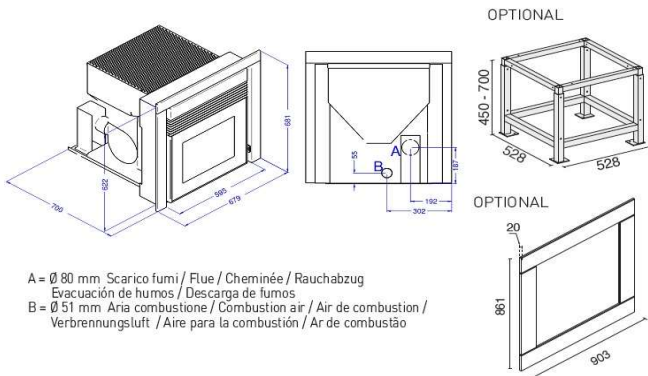
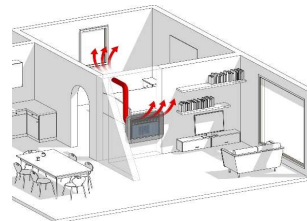
Optional Soapstone Frame



Optional Base Stand



Optional Ducting Kit



A = Ø 80 mm Scarico fumi / Flue / Cheminée / Rauchabzug
 Evacuación de humos / Descarga de humos
 B = Ø 51 mm Aria combustione / Combustion air / Air de combustion /
 Verbrennungsluft / Aire para la combustión / Ar de combustão

Technical Data

Total heat output: max 11,0 kW - min 3,0 kW
 Nominal heat output: max 9,5 kW - min 2,8 kW
 Efficiency: 92,0%
 CO emission at 13% O₂: 0,010%
 Pellet consumption: max 2,3 kg/h – min 0,6 kg/h
 Reservoir capacity: 15 kg
 Heatable room volume: 60 – 190 mc
 Min distances from Combustible walls : side: 100, back: 100, front 100 cm
 Voltage / Frequency: 230 V / 50 Hz
 Dimension: L 679 x D 700 x H 681mm
 Weight: 99 kg
 Cast iron combustion chamber
 Stainless steel brazier
 Complies with: EN14785 - BImSchV II - LRV/VKF
 Remote control: Included
 WIFI module for remote control: Optional

Features

Front glass door with black etching
 Forced ventilation
 Removable front drawer for pellet loading
 5 operating power levels
 Menu display in 6 languages
 Cast iron combustion chamber
 Removable handle
 BASIC channelled version available on request
 Remote control supplied
 Safety thermostat
 Suitable for external thermostat
 Safety Manostat
 Timer Thermostat

Hamco

STOVES

Hamco Heating Ltd
 Cloncollig
 Church Road
 Tullamore
 Co. Offaly
 05793 21302
info@hamco.ie
www.hamco.ie