

LOCAL STOCKIST



Hamco
STOVES

Hamco Heating Ltd.,
Church Road, Tullamore, Co. Offaly, Ireland, R35 FD73.
Tel: +353 (0)57 932 1302 Email: info@hamco.ie

Visit hamco.ie to see our full range on
available Solid Fuel and Pellet Stoves

Hamco
STOVES

Solid Fuel & Wood Pellet Stove Collection

Hamco

STOVES

A stove can transform any room, becoming a natural focal point. Hamco presents a modern range of multifuel & pellet stoves that combines both contemporary and classical design, quality materials and expert craftsmanship. We have created a variety of beautifully crafted stoves that will make a statement of enduring elegance in any room.

Eco Design

All of our stoves meet and go beyond the stringent air quality and efficiency standards of the Ecodesign directive, lowering emissions to an absolute minimum, our collection is designed to make them some of today's cleanest burning fires.

Why use a stove as a heating source? Wood is a renewable energy resource. Differently from what happens when fossil fuels are burnt, such as diesel oil, gas or coal, which are resources that are bound to run out and have a negative environmental impact, when wood burns, it is possible to speak about zero environmental impact. In contrast to these types of fuels, when it burns, wood releases an amount of carbon dioxide which is equivalent to that absorbed by a tree during its growth. This process is called carbon cycle.

5 YEAR
WARRANTY
ON SOLID FUEL STOVES

2 YEAR
WARRANTY
ON PELLET STOVES

Hamco, helping to heat homes since 1966



Contents

Freestanding solid fuel stoves

page three - sixteen

The Malmo
The Oslo Eco
The Oslo Eco Panoramic
The Stockholm Eco
The Stockholm Eco Panoramic
The Riga
The Lille
The Seville
The Verona

Inset solid fuel stoves

page seventeen - twenty

The Oslo Eco Inset
The Helsinki 5 Inset
The Helsinki 8 Inset

Boiler pellet stoves

page twenty one - twenty eight

The Cloe 16 & 20
The Elodie
The Jasmine
The Slim
The Minus

Room heater pellet stoves

page twenty nine - thirty

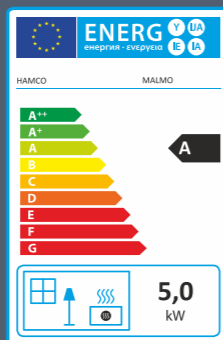
The Layla & The Fly
The Emy
The Heidi
The Perla
The Rita

The Malmo

The extra large window on the Malmo stove offers more of an extraordinary view of the flames combined with the sleek, contemporary style of the steel body with cast iron door. With a nominal heat output of 5kW, this stove is perfect for standard sized room, however it can reach up to 7kW maximum output.

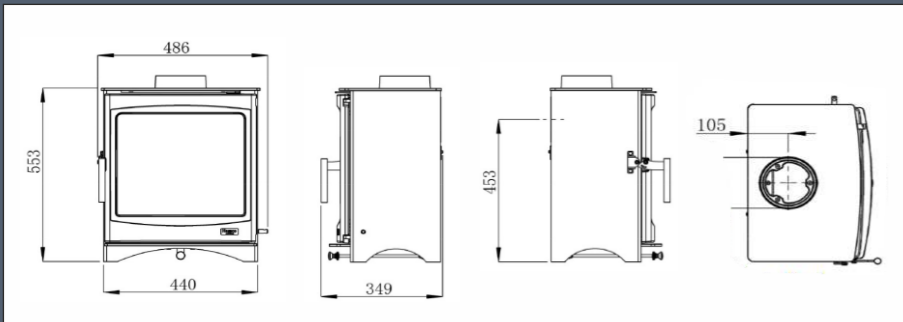
Dimensions

- H: 553mm
- W: 440mm Overall
- D: 349mm Overall
- Flue Outlet: 125mm
- Max log size: 360mm



Features

- Extra Large Window
- Contemporary Minimalistic Design
- 78.1% Efficiency
- Eco Design Energy Rating A
- 5kw nominal heat output
- Heating range between 2.5 - 7kw
- Clean Burn Technology
- Hybrid steel body/Cast Iron Door
- 8mm steel top & bottom, 5mm body
- Retains heat long after fire has expired
- Powerful airwash to help keep the glass clean
- Optional Top or Rear Flue outlet
- Ability to burn either wood or solid fuels
- External riddling system



Free Standing Solid Fuel Stoves

The Oslo Eco

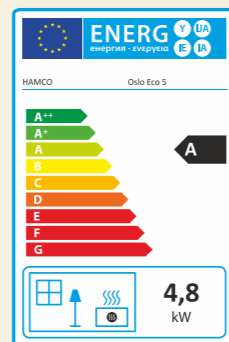
The Oslo Eco stove affectionately called the "Baby" Oslo boasts a timeless and traditional design, the stove's appearance fits well in both contemporary and rustic settings. Offering enough to heat your average sized living room or as an added heat source and focal point to a larger room. With its minimalistic design, it will not look out of place in any room.

Dimensions

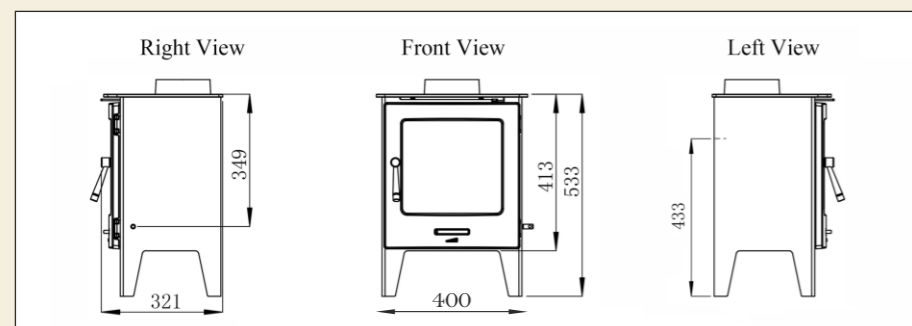
H: 533mm
 W: 400mm Overall
 D: 321mm Overall
 Flue Outlet: 125mm
 Max log size: 280mm

Features

- Clean Minimalistic Design
- Over 76% Efficiency
- Eco Design Energy Rating A
- 4.8kw nominal heat output
- Heating range between 2.5 - 5.5kw
- Clean Burn Technology
- Hybrid steel body/Cast Iron Door
- 8mm steel top & bottom, 5mm body
- Retains heat long after fire has expired
- Powerful airwash to help keep the glass clean
- Optional Top or Rear Flue outlet
- Ability to burn either wood or solid fuels
- External riddling system



Eco Design
2022





The Oslo Eco Panoramic

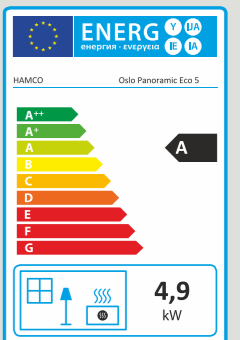
The Oslo Eco Panoramic stove is a bigger version of the Oslo Eco, carrying the same timeless and traditional design but with the added feature of a large widescreen window offering a panoramic view of the fire. The Oslo Eco Panoramic is made with a high-quality steel body that heats up quickly and a durable cast iron door that will retain the heat for longer.

Dimensions

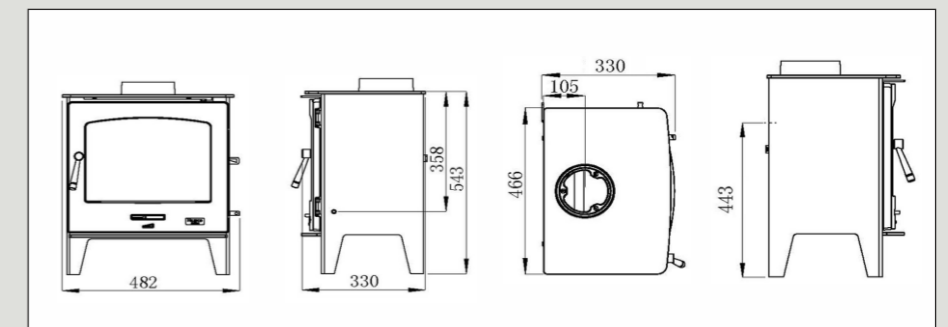
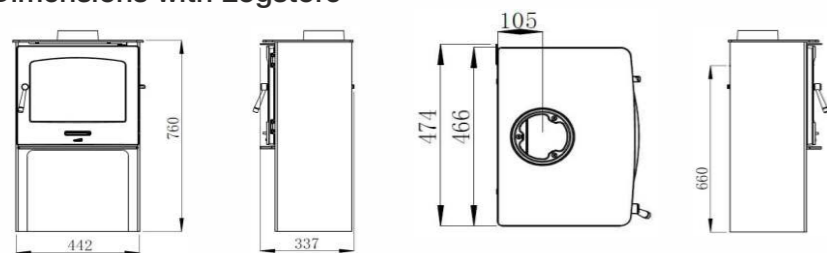
- H: 543mm
- W: 482mm Overall
- D: 330mm Overall
- Flue Outlet: 125mm
- Max log size: 360mm

Features

- Widescreen Panoramic window
- Clean minimalistic design
- Nominal Heat Output 4.9kw
- Heating range between 2.5kw - 7kw
- 75.1% Efficiency
- Eco Design 2022 Energy Rating A
- Double Combustion with Cleanburn Tertiary Air
- Powerful airwash to help keep the glass clean
- Hybrid steel body/Cast Iron Door
- 8mm steel top & bottom, 5mm body
- Retains heat long after fire has expired
- Optional Top or Rear Flue outlet
- Ability to burn either wood or solid fuels

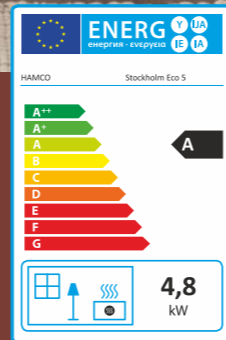


Dimensions with Logstore





Eco Design
2022



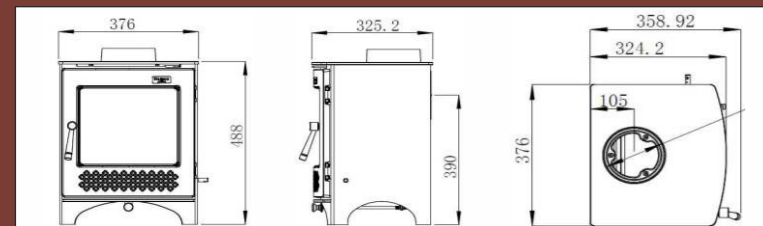
The Stockholm Eco

This compact little stove is enough to heat your average sized living room or as an added heat source and focal point to a larger room. It is the smallest we produce meeting all the criteria for Ecodesign. The stove body is made from high-quality steel which has a smooth finish, the slightly curved door is produced from cast iron, this combination of steel and cast iron makes the Stockholm stove a versatile option, it is guaranteed to heat up quickly as well as being able to retain the heat, keeping your living room warmer for longer.

Dimensions

H: 488mm
W: 376mm Overall
Max log size: 280mm

D: 359mm Overall
Flue Outlet: 125mm



Features

- Clean Minimalistic Design
- Over 76% Efficiency
- Eco Design Energy Rating A
- 4.8kw nominal heat output
- Heating range between 2.5 - 5.5kw
- Clean Burn Technology
- Hybrid steel body/Cast Iron Door
- 8mm steel top & bottom, 5mm body
- Retains heat long after fire has expired
- Powerful airwash to help keep the glass clean
- Optional Top or Rear Flue outlet
- Ability to burn either wood or solid fuels
- External riddling system



Eco Design
2022



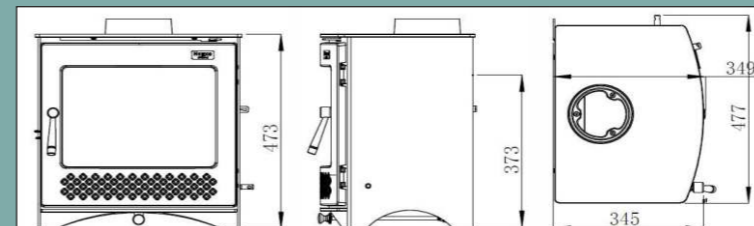
The Stockholm Eco Panoramic

The Stockholm Panoramic stove is the larger model of the ever popular Stockholm stove by Hamco. The larger firebox can hold longer logs than other models with the added feature of a large widescreen window offering a panoramic view of the fire. It has a slightly curved door to give it a contemporary design.

Dimensions

H: 473mm
W: 476mm Overall
Max log size: 330mm

D: 349mm Overall
Flue Outlet: 125mm



Features

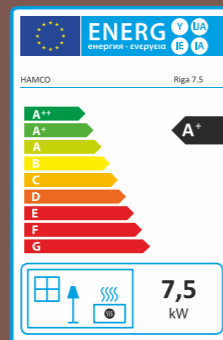
- Widescreen Panoramic window
- Clean minimalistic design
- Nominal Heat Output 4.9kw
- Heating range between 2.5kw - 7kw
- 75.1% Efficiency
- Eco Design 2022 Energy Rating A
- Double Combustion with Cleanburn Tertiary Air
- Powerful airwash to help keep the glass clean
- Hybrid steel body/Cast Iron Door
- 8mm steel top & bottom, 5mm body
- Retains heat long after fire has expired
- Optional Top or Rear Flue outlet
- Ability to burn either wood or solid fuels
- External riddling system

The Riga

This stove has been crafted from solid cast iron, with eco-friendliness at the heart of the design the Riga stove has been rated at 84.7% efficient with an A+ rating for energy. The beautifully shaped cast door incorporates a large viewing window that is kept soot free and impeccably clear thanks to the superior air wash system. The timeless & sleek design effortlessly complements modern and period interiors but it will be the generous heat output that radiates cosy warmth everyone craves.

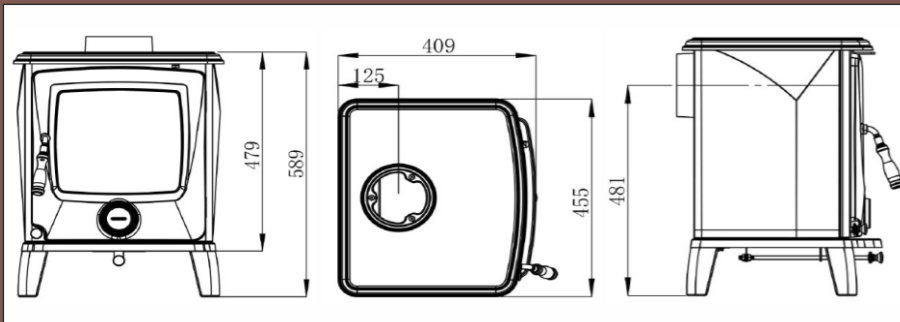
Dimensions

- H: 589mm
- W: 455mm Overall
- D: 409mm Overall
- Flue Outlet: 125mm
- Max log size: 290mm



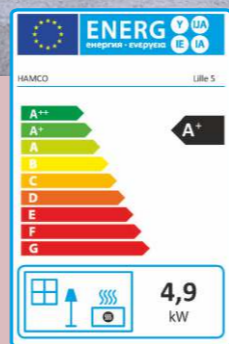
Features

- Solid cast iron construction
- Clean minimalistic design
- Nominal Heat Output 7.5kw
- Heating range between 3kw - 8kw
- 84.7% Efficiency
- Eco Design 2022 Energy Rating A+
- Double Combustion with Cleanburn Tertiary Air
- Powerful airwash to help keep the glass clean
- Retains heat long after fire has expired
- Optional Top or Rear Flue outlet
- Ability to burn either wood or solid fuels
- External riddling





Eco Design 2022

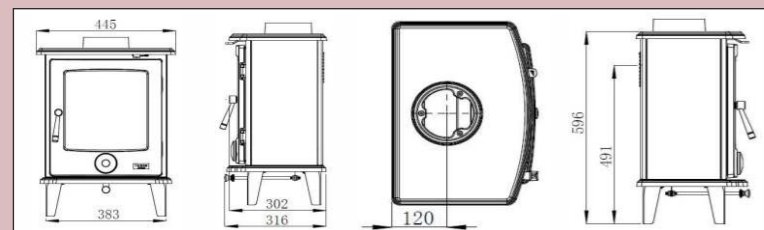


The Lille

The Lille is a small traditional looking stove with a sturdy steel construction & cast iron door. Within a compact size the Lille packs a punch with a nominal 4.9kW output, making it an excellent choice if you are looking to fill a small space. 4.9kW of heat, perfect for most standard-sized living spaces and also provides an impressive 80.1%, A+ rated energy efficiency rating.

Dimensions

H: 596mm D: 302mm Overall
 W: 383mm Overall Max log size: 260mm



Features

- Nominal Heat Output 4.9Kw
- Heating range between 2.5kw - 5.5kw
- 80.1% Efficient
- Eco Design 2022 Energy Rating A+
- Powerful airwash to help keep the glass clean
- Double Combustion with Cleanburn Tertiary Air
- Hybrid steel body/Cast Iron Door
- 8mm steel top & bottom, 5mm body
- Retains heat long after fire has expired
- Optional Top or Rear Flue outlet
- Ability to burn either wood or solid fuels



Eco Design 2022



Direct air supply option

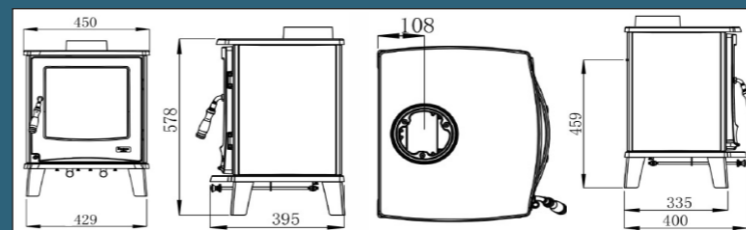


The Seville

Transform your living space with the mesmerising beauty and efficient warmth of the Seville stove. Whether your style leans towards traditional or modern, this stove effortlessly enhances any decor with its timeless design. Solid cast iron construction with a heat output ranging from 2.5kW to 7kW, the Seville is suitable for rooms of various sizes. Its nominal output of 4.9kW provides consistent heat, making it an ideal choice for everyday use.

Dimensions

H: 578mm D: 395mm Overall
 W: 429mm Overall Max log size: 275mm



Features

- Smooth cast iron body & door
- Optional kit for outside direct air
- Nominal Heat Output 4.9Kw
- Heating range between 2.5kw - 7kw
- 78.7% Efficient
- Eco Design 2022 Energy Rating A
- Powerful airwash to help keep the glass clean
- Double Combustion with Cleanburn Tertiary Air
- Cast Iron construction
- Retains heat long after fire has expired
- Optional Top or Rear Flue outlet
- Ability to burn either wood or solid fuels
- External riddling system

The Verona

The Verona provides a large, clean lined viewing window, makes for the perfect stove if you have a larger than normal opening. The Verona takes the best features of a multi fuel fire and encapsulates them in a beautifully designed piece of furniture which would look great either free standing or in a fireplace opening. An impressive air wash system is used to keep the large glass viewing window clean, the Verona also has the option of burning wood or multifuel and can also be direct air fed if required.

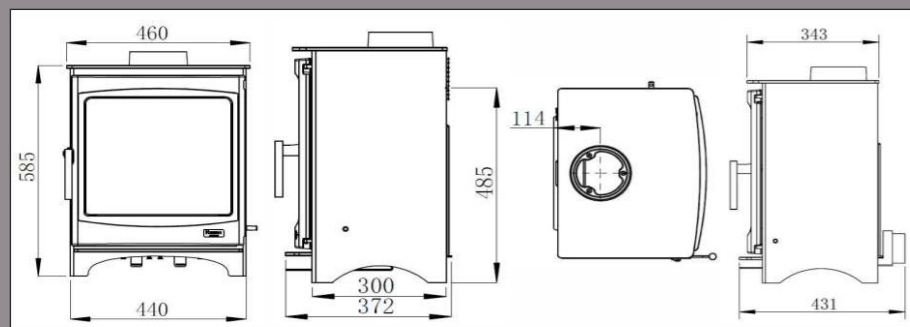
Dimensions

- H: 585mm
- W: 460mm Overall
- D: 372mm Overall
- Max log size: 360mm



Features

- Extra large window
- Optional kit for outside direct air
- Nominal Heat Output 7.2Kw
- Heating range between 2.5kw - 8kw
- 80.8% Efficient
- Eco Design 2022 Energy Rating A+
- Powerful airwash to help keep the glass clean
- Double Combustion with Cleanburn Tertiary Air
- Hybrid steel body/Cast Iron Door
- 8mm steel top & bottom, 5mm body
- Retains heat long after fire has expired
- Optional Top or Rear Flue outlet
- Ability to burn either wood or solid fuels
- External riddling system





Inset Solid Fuel Stoves

The Oslo Eco Inset

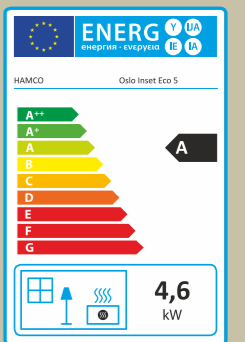
The Oslo Eco Inset stove is the perfect solution for those looking for the efficiencies of a stove yet wish to keep the traditional appearance of a fireplace. It has been specifically designed to fit into a standard 16"/18" fireplace with the fireback removed, This means a simpler installation with little or no alterations required. The Oslo Eco Inset offers high efficiency burning with the ability to burn seasoned wood or solid smokeless fuel.

Stove Dimensions

H: 593mm
 W: 485mm Overall
 D: 100mm Overall
 Flue Outlet: 125mm
 Max log size: 280mm

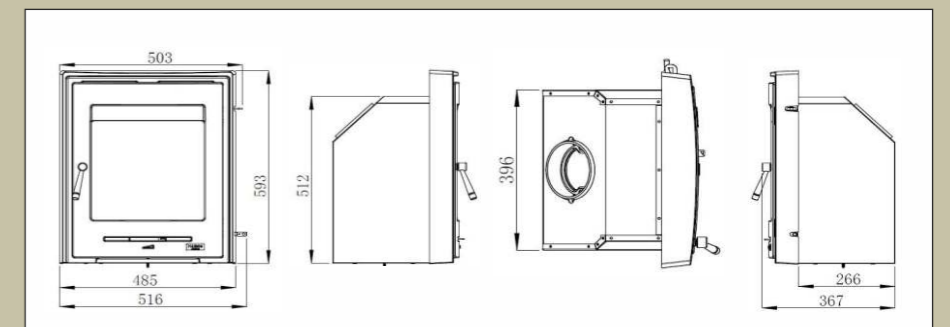
Inset Box

H: 512mm
 W: 396mm
 D: 266mm



Features

- Traditional Cast Iron Design
- Nominal output 4.6Kw
- Heating range between 2.5 - 5.5kw
- Fits standard fireplace opening
- 79.2% Efficient
- Eco Design 2022 Energy Rated A
- Clean burn Technology
- Cast Iron construction
- Airwash technology to help keep the glass clean
- Ability to burn smokeless fuels and wood
- External Riddling

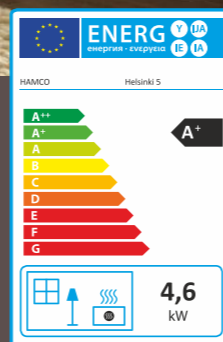




Eco Design
2022



Direct air
supply option



The Helsinki 5 Inset

The Helsinki 5 cassette stove offers space-saving heat for your home. This stove provides a heat output with a range from 2.5 - 5.5kW and a high efficiency of up to 83.3%. The stove is further complimented by a choice of a 3 or 4 sided black glass frame allowing the stove to be fitted on a hearth or set higher in a flush wall application. It's contemporary inset design means that it looks the part in modern interiors but pairs very well with a stylish contemporary fireplace and black granite back panel.

Dimensions

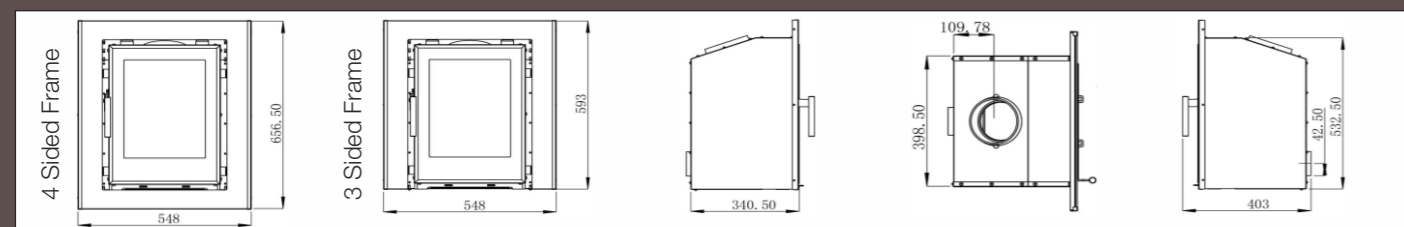
H: 656.5 / 593mm
W: 548mm Overall
D: 403mm Overall
Flue Outlet: 125mm

Inset Box

H: 535mm
D: 321mm
W: 399mm

Features

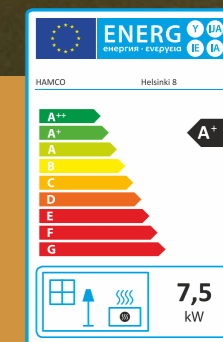
- Black Glass Door & Frame
- Contemporary Minimalistic Design
- Nominal Output 4.6Kw
- Heating range between 2.5 - 5.5kw
- Fits Standard 16"/18" opening
- 83.3% Efficiency
- Eco Design 2022 Energy Rating A+
- Clean burn Technology
- Outside Direct Air Ready
- Airwash technology for clean glass
- Ability to burn smokeless fuels & wood
- Top Flue Outlet



Eco Design
2022



Direct air
supply option



The Helsinki 8 Inset

The Helsinki 8 is a high output cassette stove designed to be installed into the wall or on a hearth. The has a 7.5kW nominal heat output and a heat range of between 3.5kw - 9kw which is enough to heat even the largest of rooms and an impressive 80% efficiency rating. It has a wide firebox that can fit logs up to 400mm in length. Easy to operate controls and a large ceramic glass viewing window makes this stove an ideal choice for open plan living.

Stove Front Frame

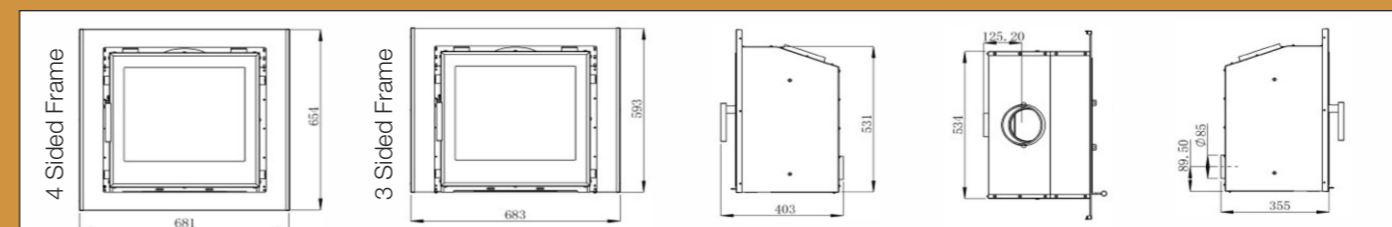
H: 3-sided 593mm/4-sided 654mm
W: 683mm
D: 20mm
Flue Outlet: 125mm
Max log size 400mm

Inset Box

H: 531mm
W: 534mm
D: 335mm

Features

- Black Glass Door & Frame
- Choice of 3 or 4 sided frame
- Contemporary Minimalistic Design
- 7.5Kw nominal output
- Heating range between 3.5 - 9kw
- 80% Efficiency
- Eco Design 2022 Energy Rating A+
- Clean burn Technology
- Outside Direct Air Ready
- Airwash technology for clean glass
- Ability to burn smokeless fuels & wood
- Top Flue Outlet



The Cloe

16kw & 20kw Boiler Pellet Stove

The front door is entirely black and lets the fire shine through when it is lit, hiding the combustion chamber when it is off. The Cloe is a hydro-ventilated pellet thermo-stove with adjustable and excludable hot air, this air is generated from the lower rear of the stove, crossing the top of the boiler. **28kw model also available.**

Features

- Ash drawer
- Display with programmable functions
- Glass Cleaning Air Flow (Air Curtain)
- Room Fan (Top)
- Cast iron brazier
- Air Flow Management
- Double Door
- Ceramic glow plug
- WiFi Optional

Dimensions

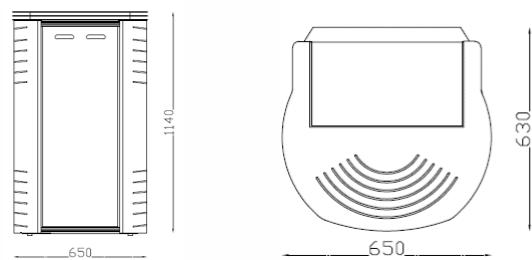
H: 1140mm
W: 650mm Overall
D: 630mm Overall



Eco Design 2022

Technical

		16kw	20kw
• Flue Connection	mm	80	80
• Pellets tank capacity	kg	25	25
• Introduced Power Min/Max	kw	6.57 / 17.6	6.57 / 21.84
• Nominal Output Min/Max	kw	6.0 / 16.19	6.0 / 20.0
• Output to Water	kw	14.16	17.54
• Output to room	kw	2.03	2.46
• Pellet Consumption	kg/h	1.34 / 3.59	1.34 / 4.45
• Efficiency	%	92	91.58



Boiler Pellet Stoves



The Elodie

20kw Boiler Pellet Stove

Thanks to the front opening doors it does not extend the spaces necessary for use and maintenance. It has a wide view of the fire and in the design concept the duality of the classic decoration that nods to the modern was taken into account. With sober and clean lines that make it ideal both for those who have a vintage environment and for those who love the modernity of clear and defined geometries.

Features

- Ash drawer
- Display with programmable functions
- Glass Cleaning Air Flow (Air Curtain)
- Room Fan (Top)
- Cast iron brazier
- Air Flow Management
- Double Door
- Ceramic glow plug
- Radio Remote Control
- Self Cleaning Burn Pot
- WiFi Optional

Dimensions

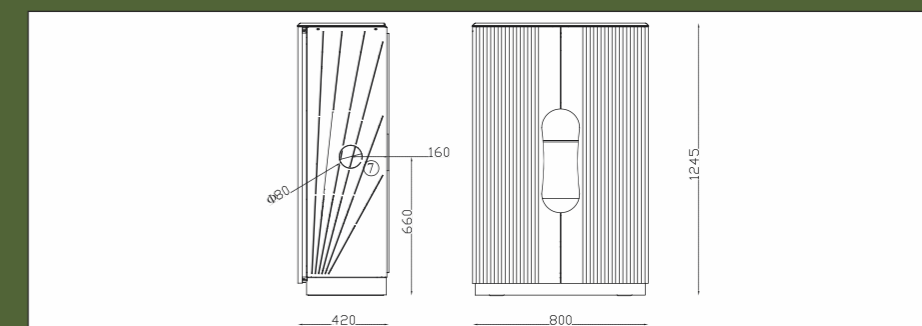
H: 1245mm
W: 800mm Overall
D: 420mm Overall



Eco Design 2022 

Technical

		20kw
• Flue Connection	mm	80
• Pellets tank capacity	kg	22
• Introduced Power Min/Max	kw	7.5 / 21.5
• Nominal Output Min/Max	kw	6.0 / 20.0
• Output to Water	kw	16.7
• Output to room	kw	3.3
• Pellet Consumption	kg/h	1.65 / 4.39
• Efficiency	%	93



The Jasmine

16kw Boiler Pellet Stove

The Jasmine is a hydro-ventilated pellet thermo-stove with adjustable and excludable hot air, this air is generated from the lower rear of the stove, crossing the top of the boiler allowing no heat to go to waste.

Features

- Ash drawer
- Display with programmable functions
- Glass Cleaning Air Flow (Air Curtain)
- Room Fan (Top)
- Cast iron Burn Pot
- Air Flow Management
- Automatic Power Regulation
- Ceramic glow plug
- WiFi Optional

Dimensions

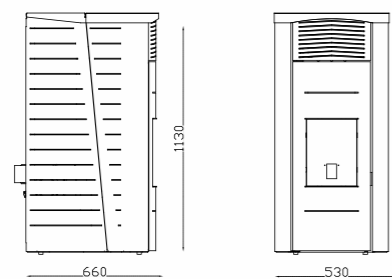
H: 1130mm
W: 530mm Overall
D: 660mm Overall



Eco Design
2022

Technical

		16kw
• Flue Connection	mm	80
• Pellets tank capacity	kg	25
• Introduced Power Min/Max	kw	6.57 / 17.6
• Nominal Output Min/Max	kw	6.0 / 16.19
• Output to Water	kw	14.16
• Output to room	kw	2.03
• Pellet Consumption	kg/h	1.34 / 3.59
• Efficiency	%	92





Eco Design 2022 



Eco Design 2022 



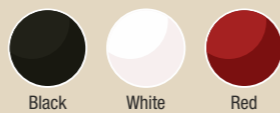
The Slim Boiler Pellet Stove

The Slim thermo stove is slim, powerful and reliable, programmable and easy to control. The front door is entirely black and lets the fire shine through when it is lit, hiding the combustion chamber when it is off. The Slim is a hydro-ventilated pellet thermo-stove with adjustable and excludable hot air, this air is generated from the lower rear of the stove, crossing the top of the boiler. **35kw version available**

Technical		20kw	28kw
• Height	mm	1140	1160
• Width	mm	940	990
• Depth	mm	390	440
• Flue Connection	mm	80	100
• Pellets tank capacity	kg	22	25
• Introduced Power Min/Max	kw	8.1/21.5	8.1/29
• Nominal Output Min/Max	kw	7.5/20.0	7.5/26.2
• Output to Water	kw	16.7	21.7
• Output to room	kw	3.3	4.5
• Pellet Consumption	kg/h	1.65/4.39	1.65/5.92
• Efficiency	%	93	90.4

Features

- Ash drawer
- Display with programmable functions
- Glass Cleaning Air Flow (Air Curtain)
- Room Fan (Top)
- Cast iron brazier
- Air Flow Management
- Double Door
- Ceramic glow plug
- WiFi Optional



The Minus 11kw Inset Pellet Stove

The Minus model is designed for a new concept of heat. It is a pellet fireplace with front air outlet, combustion is automatically regulated by the flow sensor. It has an extractable draw to facilitate loading the fuel.

Technical

Flue Connection	80mm
Pellets tank capacity	11kg
Introduced Power Min/Max	6.6kw/12.3kw
Nominal Output Min/Max	5.9kw/11.2kw
Pellet Consumption Min/Max	1.2kg/2.51kg/h
Efficiency	91%

Features

- Loading Drawer
- Ash drawer
- Display with programmable functions
- Thermostat
- Power regulation
- Cast iron brazier
- Glass Cleaning Air Flow (Air Curtain)
- Pellet Level Sensor
- Ceramic Ignition
- Remote control
- WiFi Optional

The Layla Slim & The Fly Slim

Everything you could ask for from an air heater. 10 kW of power and the possibility of being ducted to bring heat to other rooms too. A design that makes it slim and well integrated with the furniture.

Common Features

- 10kw Output
- Air Curtain glass wash
- 7 Day Programmer
- 15kg Pellet storage
- 90.2% Efficiency
- Energy rating A+
- 300mm Depth
- Top or Rear flue outlet
- WiFi Option
- Ductable Option

Dimensions

- H: 1095mm
- W: 820mm Overall
- D: 300mm Overall



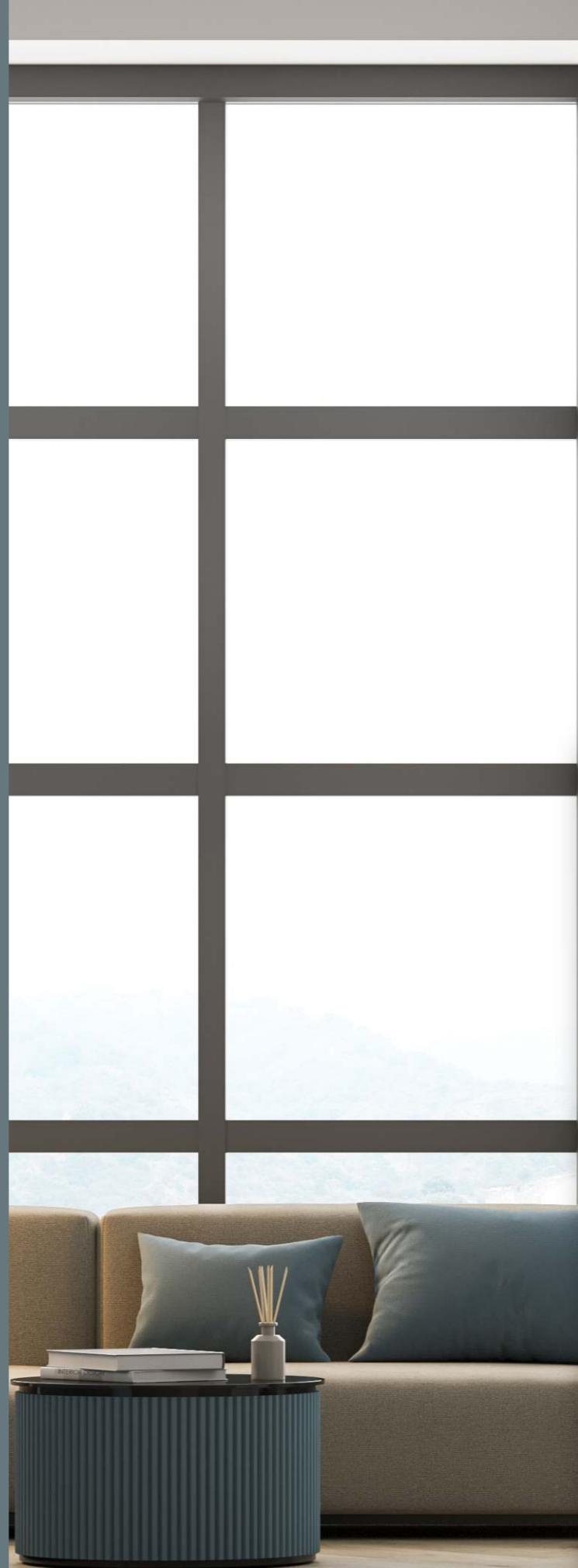
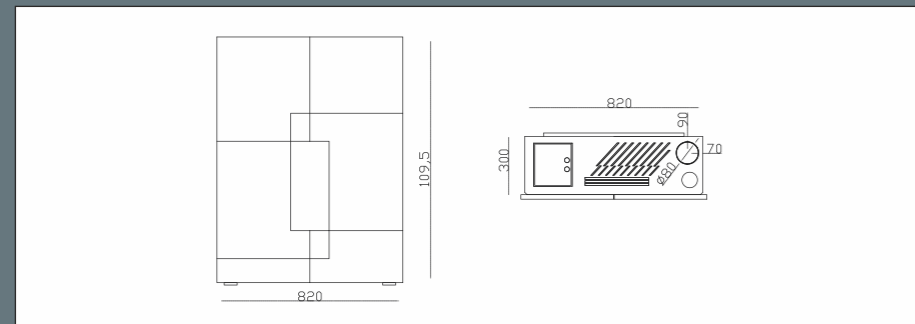
Fly Unique Characteristics

- Etched Glass front panel & door
- 3 Colour options available
- Black, red or white



Layla Unique Characteristics

- Front split opening wooden veneer doors
- 3 Colour option available
- Black, Terracotta & White



Room Heater Pellet Stoves

thirty one



Eco Design 2022



thirty two



Eco Design 2022



The Emy 7.4kw Pellet Stove

Small in size with an output of up to 8kw, it can easily be inserted into all contexts, from the attic to the studio apartment or small loft. The burn pot is made of solid cast iron and can be programmed for timed lighting. The glass remains cleaner for longer automatically thanks to the air jet air curtain system.

Technical Data

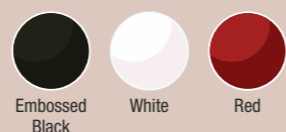
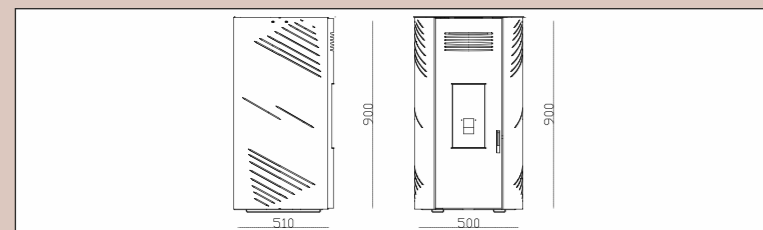
- Total introduced power: max 8.1kW - min 4.0kW
- Nominal heat output: max 7.4kW - min 3.8kW
- Efficiency: 92.1%
- Pellet consumption: max 1.65kg/h - min 0,84kg/h
- Reservoir capacity: 18kg
- Flue Outlet:Rear

Features

- Glass Cleaning Air Flow
- Rounded Sides
- Removable Ash Tray
- Cast Iron Burn Pot
- Programmable Timer
- 5 operating power levels
- Wi-Fi Ready ; Optional

Dimensions

H: 900mm
 W: 500mm Overall
 D: 510mm Overall



The Heidi 5kw Pellet Stove

Small round stove perfect for tight corners, it is exactly what is needed for those who have a small room to heat. Extremely compact and discreet. Steel sides with ceramic top and hidden control panel.

Technical Data

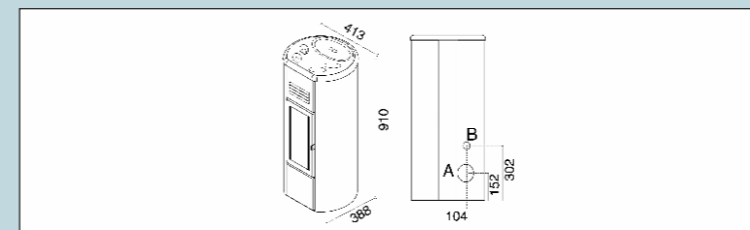
- Nominal heat output: max 5 kW - min 2,5 kW
- Total introduced power: max 6.3 kW - min 2,9 kW
- Efficiency: Pmax 87.5% - Pmin 92%
- CO emission at 13% O2: Pmax 0,019% - Pmin 0,024%
- Pellet consumption: max 1.3 kg/h - min 0,6 kg/h
- Reservoir capacity: 10 kg
- Heatable room volume: 50 - 120 mc
- Flue Outlet: Rear

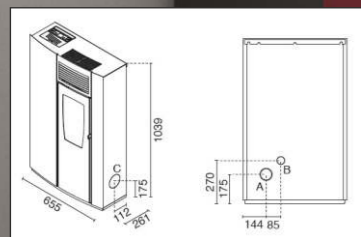
Features

- Forced ventilation
- 5 operating power levels
- Programmable Timer
- Removable ash tray for ash removal
- Safety thermostat
- Remote control: Optional
- Wi-Fi ; Optiona

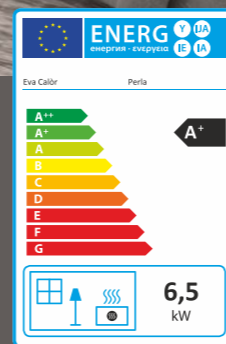
Dimensions

H: 910mm
 W: 413mm Overall
 D: 388mm Overall





Eco Design 2022



The Perla 6.5kW Slim Pellet Stove

A discreet and elegant stove that can be placed in any room, this slim model is only 260mm deep with a slight curve on the front. Offering between 3 - 6.5kW controlled by room temperature automatically.

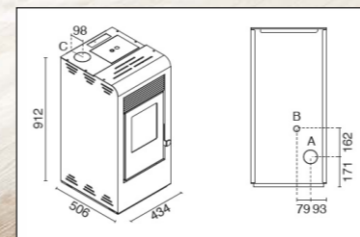
Technical Data

- Total heat output: max 7.5kW - min 3.4kW
- Nominal heat output: max 6.5kW - min 3kW
- Efficiency: Pmax 88.5% - Pmin 90.5%
- CO emission at 13% O₂: Pmax 0.010% - Pmin 0.028%
- Pellet consumption: max 1.57kg/h - min 0.7kg/h
- Reservoir capacity: 12kg
- Heatable room volume: 70 - 160mc
- Minimum distances from combustibles: side 30cm - back 10cm - front 100cm
- Weight: 71.6kg
- Complies with: EN14785 - BlmSchV II - 15a B-VG - LRV/VKF
- Flue Outlet: Rear or Side
- Remote control: Optional

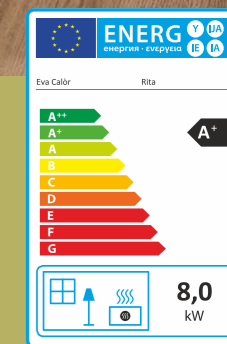
Features

- Coating with front steel grille
- Space-saving
- Forced ventilation
- 5 operating power levels
- Menu display in 6 languages
- Removable handle
- Side - rear smoke extraction
- Safety thermostat
- Suitable for external thermostat
- Safety Manostat
- Timer Thermostat

H: 1039mm
W: 655mm Overall
D: 261mm Overall



Eco Design 2022



The Rita 8kW Pellet Stove

This 8KW pellet stove stands out thanks to its very modern and original style, it has a curved transition from the front to the top with the added feature of a top flue connection allowing the stove to be placed much closer to the wall

Technical Data

- Total heat output: max 8.8kW - min 2.8kW
- Nominal heat output: max 8kW - min 2.5kW
- Efficiency: Pmax 85.5% - Pmin 90%
- CO emission at 13% O₂: Pmax 0.016% - Pmin 0.013%
- Pellet consumption: max 1.8kg/h - min 0.6kg/h
- Reservoir capacity: 13.5kg
- Heatable room volume: 140 - 200mc
- Minimum distances from combustibles: side 30cm - back 25cm - front 100cm
- Weight: 66.1kg
- Complies with: EN14785 - BlmSchV II - 15a B-VG - LRV/VKF
- Flue Outlet: Top - Rear
- Remote control: Optional

Features

- Forced ventilation
- 5 operating power levels
- Menu display in 6 languages
- Removable ash tray for ash removal
- Safety thermostat
- Suitable for external thermostat
- Safety Manostat
- Timer Thermostat
- Out side air option

Dimensions

H: 912mm
W: 434mm Overall
D: 506mm Overall

