

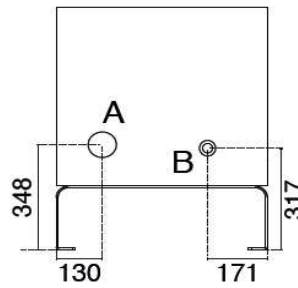
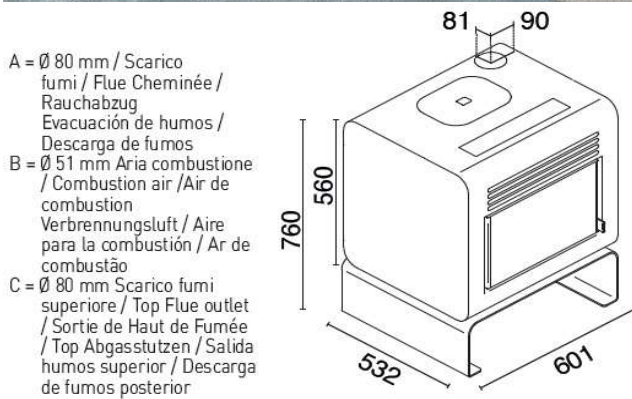
Hermes 7.5kw Pellet Stove



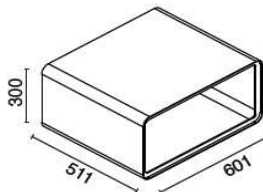
Optional Aperta Base



Optional Chiusa Base



OPTIONAL:
 Piedistallo
 Pedestal
 Piédestal
 Gestell
 Pie
 Pedestal



Technical

Total introduced power: max 7,5 kW - min 2,9 kW
 Nominal heat output: max 6,5 kW - min 2,5 kW
 Energy efficiency class: A+
 Efficiency: Pmax 87,0% – Pmin 91,0%
 CO emission at 13% O₂: Pmax 0,012% – Pmin 0,010%
 Pellet consumption: max 1,6 kg/h – min 0,6 kg/h
 Reservoir capacity: 12 kg
 Heatable room volume: 70 – 160 mc
 Minimum distances from walls: side 15cm, back 30cm, front 100cm
 Voltage / Frequency: 230 V / 50 Hz
 Rated input power: 320 W
 Dimension: L 60,1 x P 52 x H 56 cm
 Weight: 113 kg
 Steel combustion chamber
 Stainless steel brazier
 Complies with: EN14785 - 15a B-VG - BImSchV II - LRV/VKF
 Fume outlet: Top - Rear
 Remote control: Included
 WIFI module for remote control: Optional
 Pedestal: Optional

Features

Front glass door with black etching
 Forced ventilation
 5 operating power levels
 Menu display in 6 languages
 Removable handle
 Top or rear smoke extraction
 Remote control supplied
 Safety thermostat
 Suitable for external thermostat
 Safety Manostat
 Timer Thermostat

Hamco
 STOVES

Hamco Heating Ltd
 Cloncollig
 Church Road
 Tullamore
 Co. Offaly
 05793 21302
info@hamco.ie
www.hamco.ie