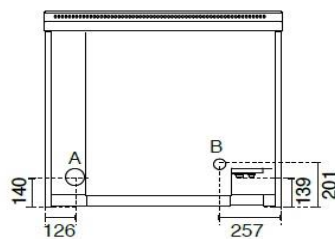
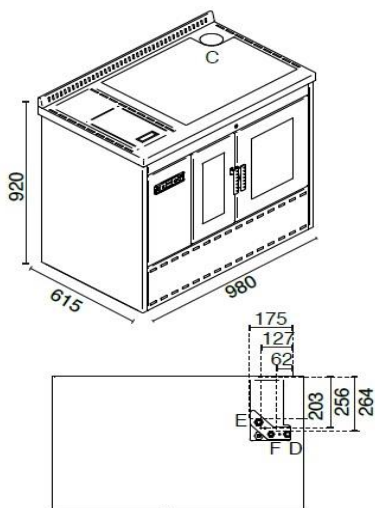


## Isotta 21kw Pellet Boiler Cooker



- A = Ø 80 mm Scarico fumi / Flue / Cheminée / Rauchabzug / Evacuación de humos / Descarga de humos  
 B = Ø 48 mm Ingresso aria primaria / Primary air inlet / Entrée d'air primaire / Primärlufteinlass / Entrada aire primario / Admissão de ar primário  
 C = Ø 80 mm Scarico fumi superiore / Flue top / Haut de fumée / Top Abgasstutzen / Salida humos superior / Descarga de humos superior  
 D = 3/4 Ritorno riscaldamento / Heating return / Retour chauffage / Heizungsrücklauf / Retorno calentamiento / Retorno aquecimento  
 E = 3/4 Andata riscaldamento / Heating flow / Départ chauffage / Heizungsvorlauf / Ida calentamiento / Partida do aquecimento  
 F = 1/2 Carico/scarico impianto / System load/discharge / Remplissage/vidage installation / Be-/Entladen der Anlage / Carga/Descarga instalación / Carga/Descarga sistema

### Technical Data

Total heat output: max 21,0 kW – min 7,3 kW  
 Nominal heat output: max 18,5 kW – min 7,0 kW  
 Water heat output: max 15,5 kW – min 5,5 kW  
 Energy Efficiency Class: A++  
 Efficiency: Up to 95,5%  
 CO emission at 13% O<sub>2</sub>: P<sub>max</sub> 0,011% – P<sub>min</sub> 0,015%  
 Pellet consumption: max 4,3 kg/h – min 1,5 kg/h  
 Reservoir capacity: 20 kg  
 Heatable room volume: 290 – 390 mc  
 Minimum distances: side/rear 5mm, front 1000 mm  
 Dimension: L980 x W615 x H920mm  
 Weight: 250 kg  
 Steel combustion chamber  
 Stainless steel brazier  
 Oven dimensions: L 300 x W385 x H280mm  
 Complies with: EN14785 - BImSchV II - LRV/VKF - BAFA  
 Fume outlet: Top - Rear

### Features

Front glass door with black etching  
 Stainless steel oven  
 Removable tray holder guides  
 Aluminium tray supplied  
 Tray holder grille supplied  
 Oven temperature controlled via display (120°-240°C)  
 5 operating power levels  
 Can be built in or free standing  
 Removable ash tray for ash removal  
 Upper - rear smoke extraction  
 Safety thermostat  
 Suitable for external thermostat  
 Safety Manostat  
 Timer Thermostat  
 Expansion tank, Pump & Safety valve  
 WIFI module for remote control: Optional

**Hamco**  
 STOVES

Hamco Heating Ltd  
 Cloncollig  
 Church Road  
 Tullamore  
 Co. Offaly  
 05793 21302  
[info@hamco.ie](mailto:info@hamco.ie)  
[www.hamco.ie](http://www.hamco.ie)