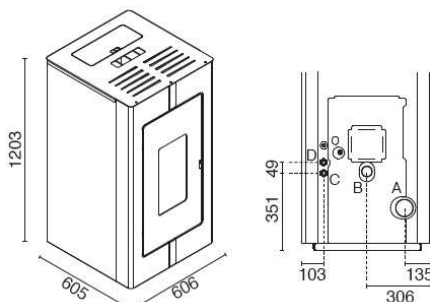


Tosca 24Kw Pellet Boiler Stove



A = Ø 80 mm Scarico fumi / Flue / Cheminée / Rauchabzug / Evacuación de humos / Descarga de fumos
 B = Ø 50 mm Ingresso aria primaria / Primary air inlet / Entrée d'air primaire / Primärlufteinlass
 C = 3/4 Entrada aire primario / Admissão de ar primário
 Ritorno riscaldamento / Heating return / Retour chauffage / Heizungsrücklauf
 Retorno calentamiento / Retorno aquecimento
 D = 3/4 Andata riscaldamento / Heating flow / Départ chauffage / Heizungsvorlauf
 Ida calentamiento / Partida do aquecimento



Colour Options



Rosso
Red



Tortora
Dove grey

Technical Data

Total introduced power: max 25.4kW – min 5.3kW
 Nominal heat output: max 23kW – min 5kW
 Water heat output: max 20.5kW – min 3.5kW
 Efficiency: Pmax 90% – Pmin 94.5%
 CO emission at 13% O₂: Pmax 0,016% – Pmin 0,020%
 Pellet consumption: max 5.4kg/h – min 1.1kg/h
 Reservoir capacity: 25kg
 Heatable room volume: 400 – 520 mc
 Minimum distances from combustibles side 20 cm, back 20 cm, side 100 cm
 Dimension: W 606 x D 605 x H 1203mm
 Weight: 167.9kg
 Steel combustion chamber
 Stainless steel brazier
 Remote control: Included
 Flue outlet: Rear

Features

25kg Pellet tank
 5 operating power levels
 Menu display in 6 languages
 Removable ash tray for ash removal
 Removable handle
 Remote control supplied
 Safety thermostat
 Suitable for external thermostat
 Safety Manostat
 Water Pressure Transducer
 Timer Thermostat
 Circulation pump
 Expansion tank
 Safety valve

Hamco

STOVES

Hamco Heating Ltd
 Cloncollig
 Church Road
 Tullamore
 Co. Offaly
 05793 21302
info@hamco.ie
www.hamco.ie